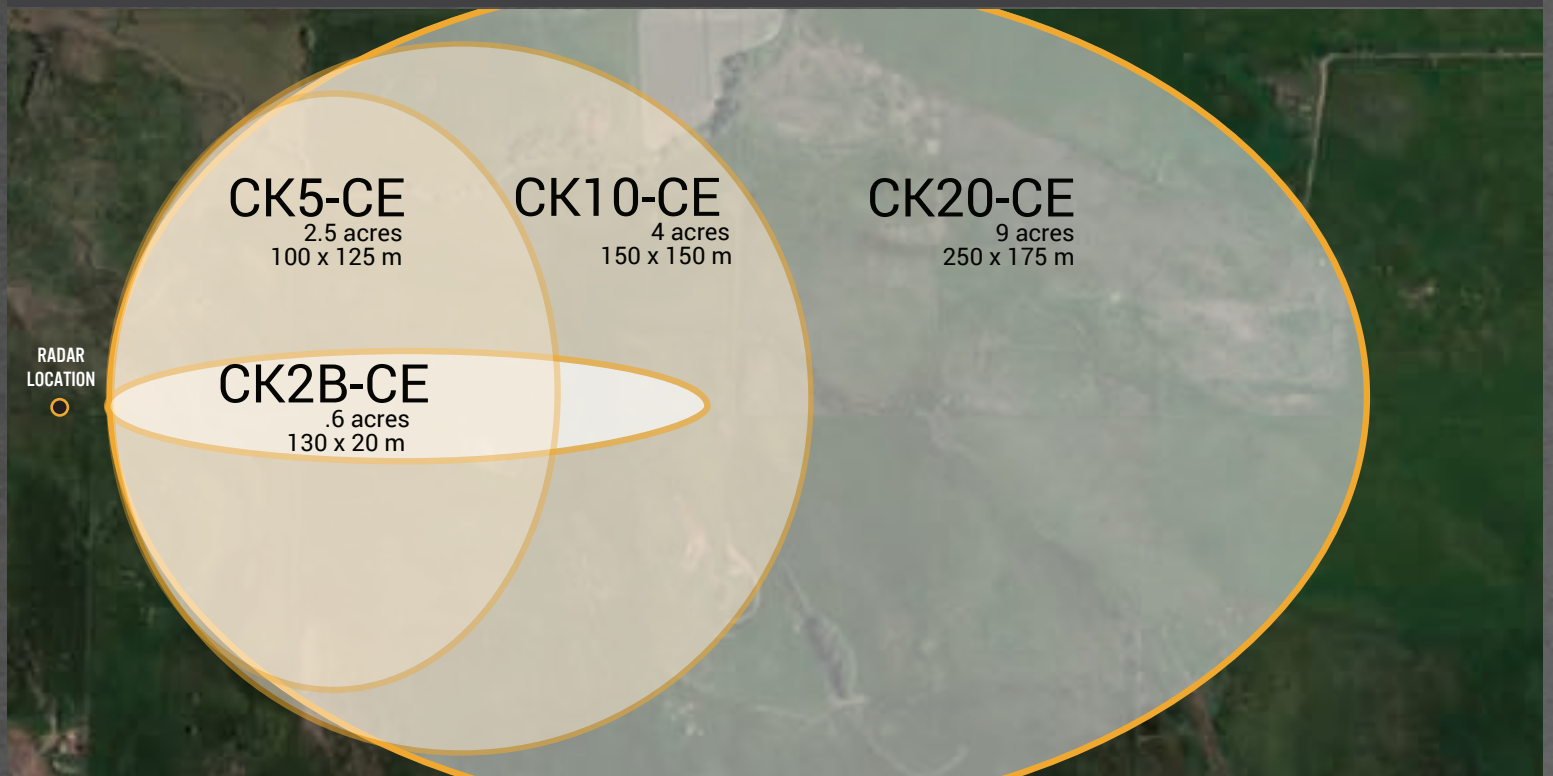


Ground & Over-Water Radar



GROUND RADAR COVERAGE COMPARISON



FOR MORE INFORMATION, CONTACT:
sales@spotterrf.com
801-742-5849
spotterrf.com

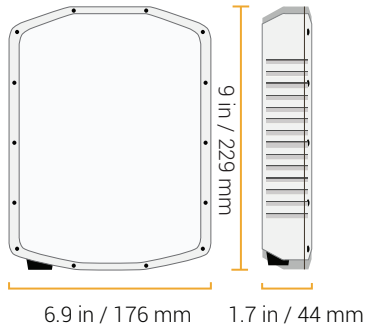
Protection Beyond Fences



Compact Surveillance Radar

1.2 lbs
0.6 kg

Dimensions
CK2B-CE
CK5-CE
CK10-CE
CK20-CE



General Specifications		CE Compliant		
SCAN RATE	Up to 8 times per second		CLASS B*	RED**
UPDATE RATE	Up to 8 times per second	CK2	YES	YES
OUTPUT DATA	GPS coordinates, velocity, RCS, range, time angle, heading, accuracy, and duration	CK5	YES	YES
OUTPUT PROTOCOL (PLATFORM)	JSON, XML, KML, Google Earth, NetworkIO	CK10	YES	YES
INTERFACE	Ethernet (Web UI or API)	CK20	YES	YES
PHYSICAL INTERFACE	Passive PoE through IP67 RJ45 connector, 10/100 Mbps	UNLICENSED OPERATION (ALL)		
RUGGED/WATERPROOF	IP67/NEMA 6P compliant	* CE Residential Compliance Standards		
SETUP TIME	Less than 10 minutes using Web UI	** EU Radio Equipment Directive Compliance		

CK-Series	CK2B-CE	CK5-CE	CK10-CE	CK20-CE
DETECTION RANGE	Walker: 5-125 m Vehicle: 5-200 m	Walker: 5-100 m Vehicle: 5-175 m	Walker: 5-150 m Vehicle: 5-200 m	Walker: 10-250m Vehicle: 10-400 m
COVERAGE AREA	130 m x 20 m = .6 acres	100 m x 125 m = 2.5 acres	150 m x 150 m = 4 acres	250 m x 175 m = 9 acres
EFFECTIVE FIELD OF VIEW	Horizontal: 10 degrees Vertical: 10 degrees	Horizontal: 100 degrees Vertical: 10 degrees	Horizontal: 90 degrees Vertical: 10 degrees	Horizontal: 90 degrees Vertical: 20 degrees
ANGULAR ACCURACY	+ -5 degrees	+ -3 degrees	+ -3 degrees	+ -3 degrees
RANGE RESOLUTION	1 meter	1 meter	1 meter	1.5 meter
SIMULTANEOUS TRACKS	10	10	20	20
SYSTEM POWER	5-7 W @ 20-48 VDC depending on duty cycle	5-7 W @ 20-48 VDC depending on duty cycle	5-7 W @ 20-48 VDC depending on duty cycle	5-7 W @ 20-48 VDC depending on duty cycle
TEMPERATURE RANGE	-30° C to 65° C -22° F to 149° F	-30° C to 65° C -22° F to 149° F	-30° C to 65° C -22° F to 149° F	-30° C to 65° C -22° F to 149° FF
FREQUENCY	24.0 to 24.25 GHz FCC & ETSI Unlicensed Band	24.0 to 24.25 GHz FCC & ETSI Unlicensed Band	24.0 to 24.25 GHz FCC & ETSI Unlicensed Band	24.0 to 24.25 GHz FCC & ETSI Unlicensed Band

Applications

Airports	Estates	Military	Prisons	Substations
Borders	Events	Mines	Railways	UAV Drones
Bridges	Farms	Nuclear Power	Residential	Virtual Fences
Commercial	Fences	Oil facilities	Seaports	Water Treatment
Construction	Fish Farms	Parking Structures	Service Centers	Windmills
Dams	Government	Pipelines	Solar Farms	
Data Centers	High Security	Power Plants	Stations	

FOR MORE INFORMATION, CONTACT:
sales@spotterrf.com
801-742-5849
spotterrf.com

